

TS 77

—

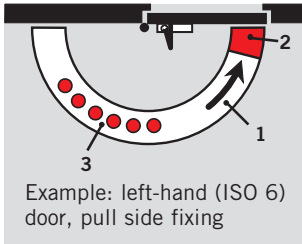


Door Closer

# THE BUDGET DOOR CLOSER FOR STANDARD DOORS

- The economical solution for standard doors.
- Non-handed, suitable for standard, parallel arm and frame installation.
- Fully controlled closing cycle.
- Backcheck version available for door and wall protection.

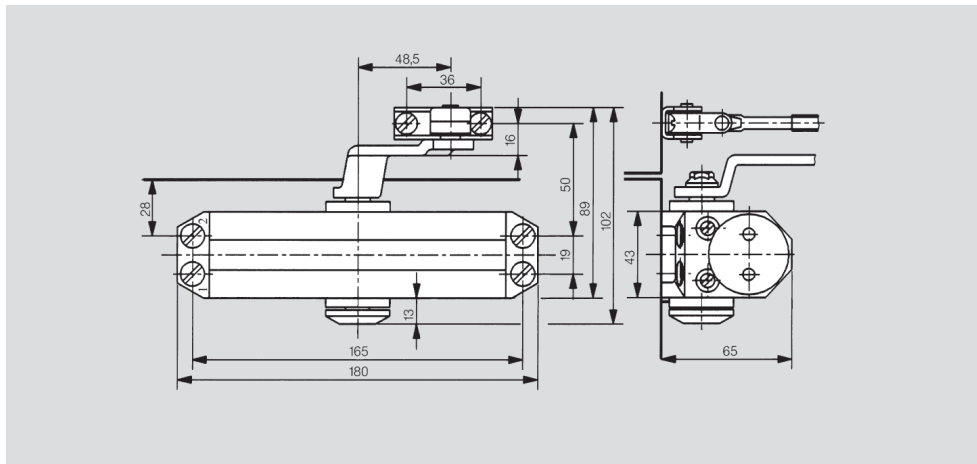
## Functions



- 1 Fully controlled closing with adjustable speed between 180° - 20°
- 2 Adjustable latching action between 20° and 0°
- 3 Hold-open range if equipped with hold-open arm (optional extra)

Data and features		TS 77		
	Size	EN 2	EN 3	EN 4
Closing force	Standard doors	●	-	-
		950 mm	-	●
		≤ 1100 mm	-	-
External doors, opening outwards				
Non-handed		●	●	●
Arm type standard scissor arm		●	●	●
Closing force variable at adjustment screw				
Closing speed variable by valve adjustment				
Backcheck		○	○	○
Delayed action				
Hold-open				
Weight in kg		1.7	1.7	1.7
Dimensions in mm				
	Length	180		
	Overall depth	65		
	Height	43		

● Yes - no ○ Option



## Specification text

Rack-and-pinion door closer with hydraulically fully controlled closing cycle, non-handed.

### Model:

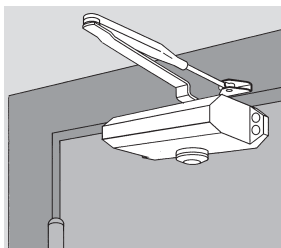
- Size 2
- Size 3
- Size 4
- With hold-open arm

Accessories: \_\_\_\_\_

### Closer Colour:

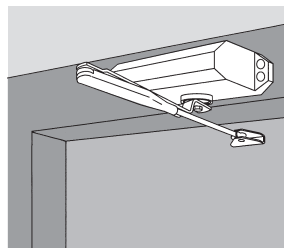
- silver

Make: DORMA TS 77



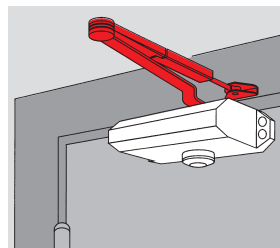
ON THE PULL SIDE

Door leaf fixing (standard)



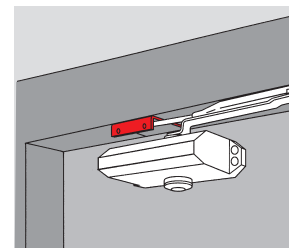
ON THE PUSH SIDE

Transom fixing (overhead installation)



WITH HOLD-OPEN ARM ASSEMBLY

for temporary door hold-open (optional extra)



PARALLEL ARM

for parallel arm assembly (for installation dimensions, see fixing instructions)

DORMA Australia P/L  
 Head Office  
 46-52 Abbott Road,  
 Hallam, Victoria 3803  
 Telephone (03) 8795 0666  
 Facsimile (03) 8795 0280  
 Toll Free Facsimile  
 1800 333 309

DORMA NZ Limited  
 Head Office  
 Building P  
 61-69 Patiki Road  
 Avondale  
 Auckland 1026  
 Telephone (09) 830 2052  
 Facsimile (09) 820 4909

